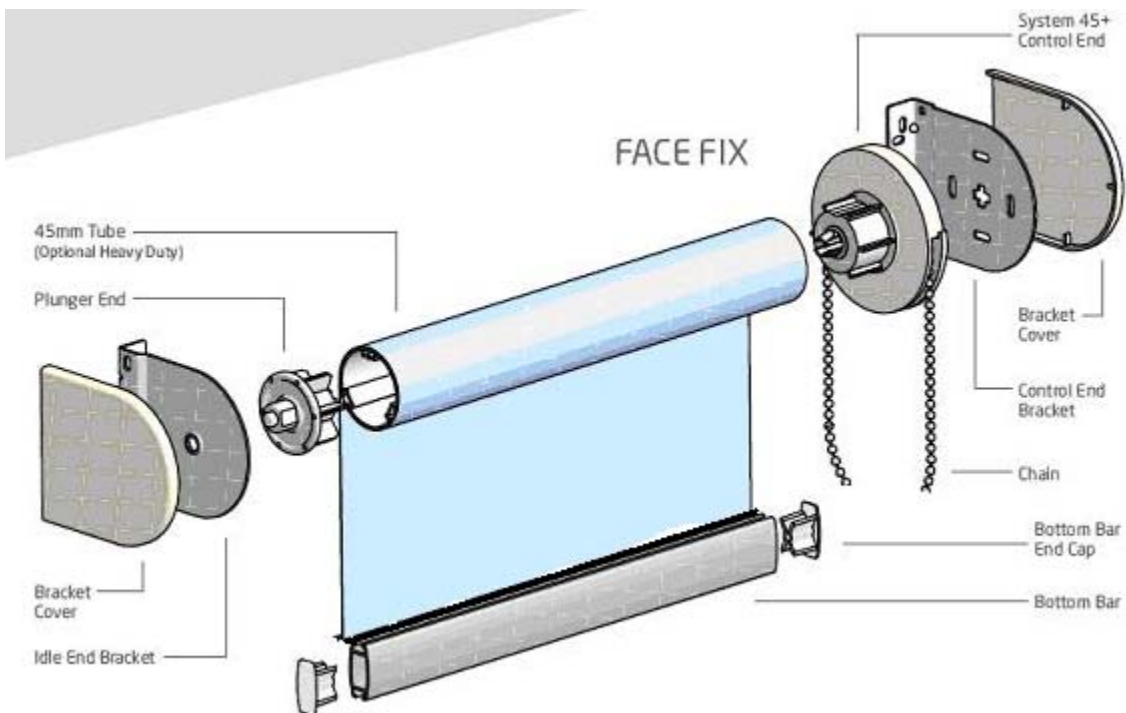
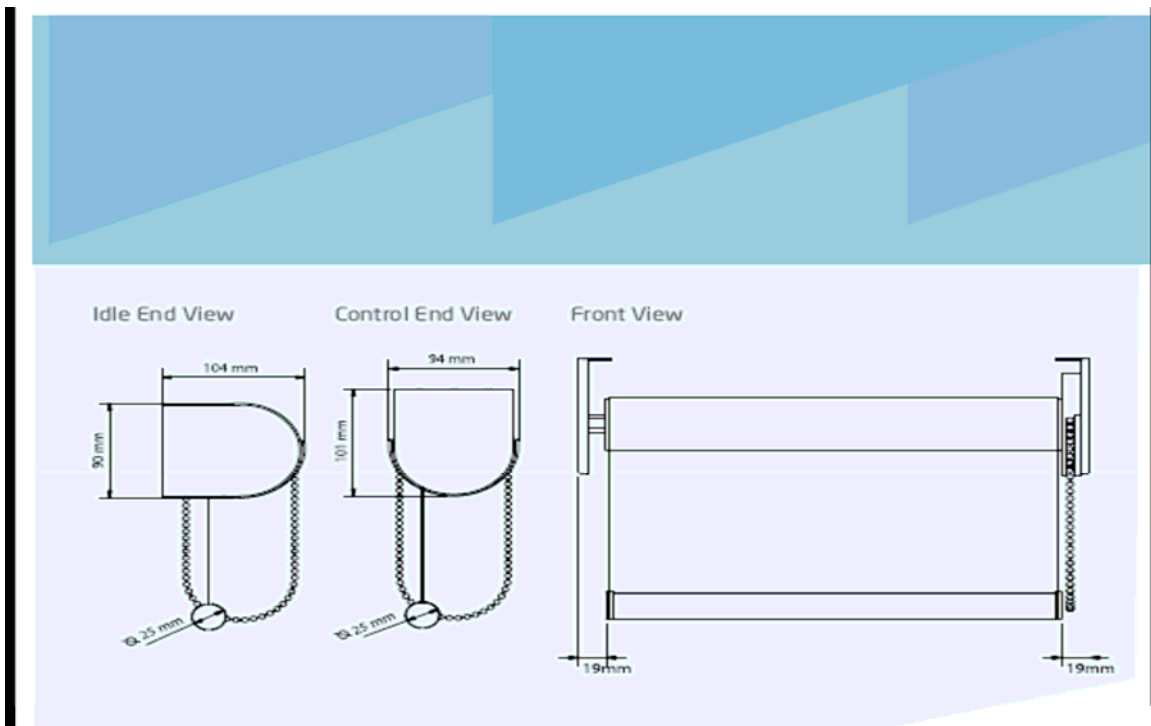


ECOSMART ROLLER SHADES

SYSTEM 45





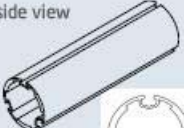



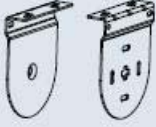

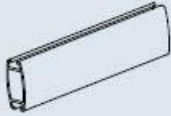
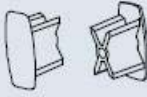

EcoSmart Roller Shades

System 45+ Components

System 45+ makes light work of raising and lowering larger, heavier roller blinds and its sleek, stylish design coordinates perfectly with today's contemporary interior design schemes.

As you would expect from Louvolite, all component parts are manufactured to the highest specification using only the highest grade materials that are built to last. The result? You have the reassurance that you are getting a smooth running system that has been ten year life cycle tested to ensure it will deliver trouble free operation for many years to come.

Easy to manufacture, System 45+ is also supplied with easy to fit brackets containing fixing holes to allow universal fixing. Coordinating bracket covers can be added to provide a sleek finish.

<p>Standard Tube R8027 (5m) or R8028 (3m)</p> <p>side view </p> <p>end view </p> <p>100% Aluminium Lengths: 5m (5.5 yard) Outside diameter: 45mm Wall thickness: 1.25mm 3 fabric locating slots / Strengthening fin: 4mm, 4.5mm, 5mm</p>	<p>Heavy Duty Tube R8029 (4m)</p> <p>side view </p> <p>end view </p> <p>100% Aluminium Lengths: 5m (5.5 yard) Outside diameter: 45.5mm Wall thickness: Minimum at 1.75mm, Maximum at 3.75mm 3 fabric locating slots / Strengthening fin: 4.5 mm, 5 mm, 5mm</p>
<p>System 45+ R3065 (set)</p>  <p>Sprocket / Sprocket Guard Acetal Other parts glass filled nylon 6 Spring lock friction system Unique bracket securing pin Choice of nylon or metal chain drive Maximum recommended operating weight - 2.25kg (5lbs)</p>	<p>Plunger End R3065 (set)</p>  <p>Nylon 6 Colour: White</p>
<p>Brackets R3065 (set)</p>  <p>Universal Fixing (Side, face or top fix) Mild steel Zinc plated and powder coated Thickness: 1.5 mm</p>	<p>Bracket Covers R3045</p>  <p>Nylon Colour: White</p>
<p>Bottom Bar R8120 (upvc or Alu) R8123 (sr)</p>  <p>UPVC option in white, beige or clear Aluminium option is anodised aluminium or white Lengths: 5m (5.5 yard) Overall Dimensions: 15x30 mm Wall thickness: 1.2 mm</p>	<p>Bottom Bar End Caps R8180</p>  <p>Nylon / Polypropylene Colour: White, beige or clear</p>
<p>Chain R3420</p>  <p>Zinc Plated Colour: silver or gold Lengths: 125m roll or Stainless steel Lengths: 125m roll</p>	